

## 1. Scope

This material standard applies to wooden crossarm support brackets.

## 2. Material ID Numbers

This material standard applies to District Material ID Number 876633.

## 3. Reference Standards

Unless otherwise stated in this specification, the crossarm support brackets shall comply with the latest revisions of the following standards:

**ASTM BTM B 209** Standard Specification for Aluminum and Aluminum-Alloy Sheet and Plate

**ASTM BTM B 308** Standard Specification for Aluminum-Alloy 6061-T6 Standard Profiles

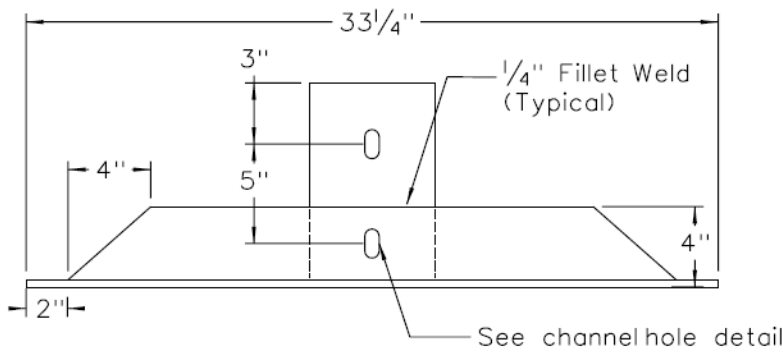
## 4. Construction

Crossarm support brackets shall:

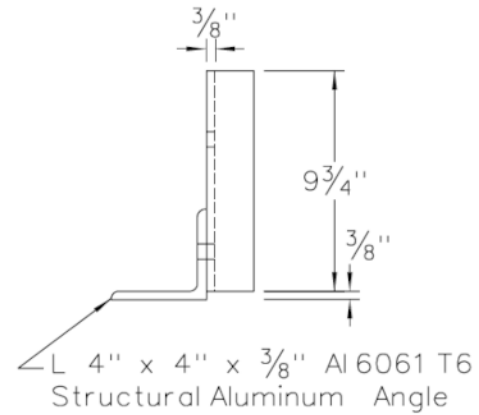
- a. Be fabricated of 6061-T6 Aluminum Alloy to the specified dimensions.
- b. Use an American Standard Structural specified channel.
- c. Have all welding performed by operators qualified to perform the welding process required.
- d. Not contain any sharp edges, burrs, cracks, or other imperfections.

## 5. Dimensions

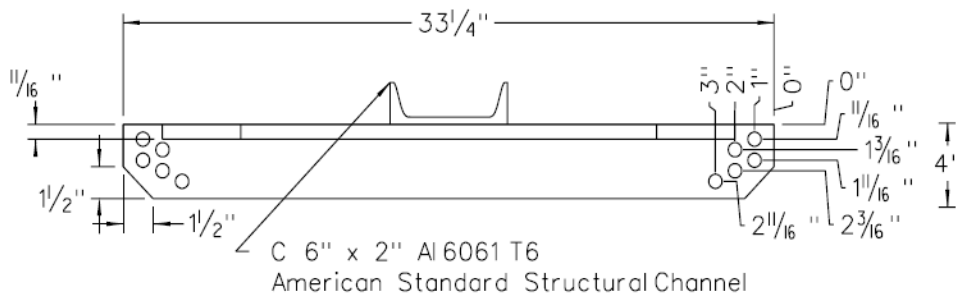
Crossarm support brackets shall be dimensioned per the following drawings:



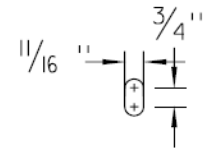
Front View



Side View



Top View



Channel Hole Detail

Note: All holes are to be 11/16" diameter